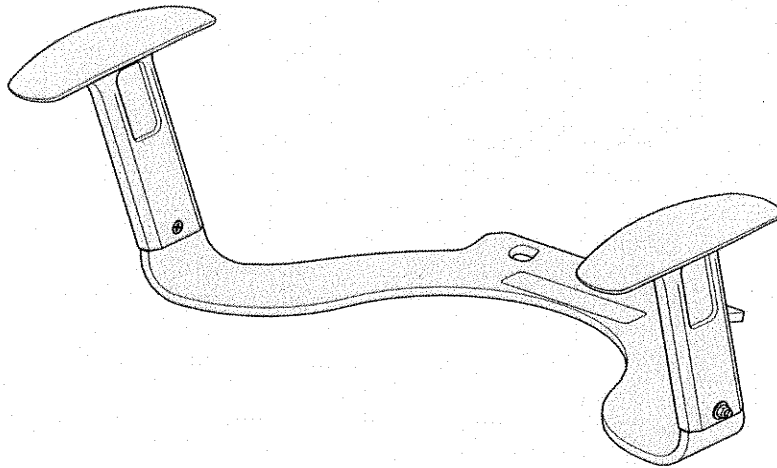


NUMO™ ARMS



KA410NAS

NUMO TOILET ARMS – STANDARD/WIDE

**KEIM-085
KCARE HEALTHCARE SOLUTIONS**



P. 1800 884 405
F. 1800 329 382
E. accounts@kcare.com.au
105 NINTH ST
MILDURA VIC 3500
ABN 87 150 431 099

NSW OFFICE
P. 1320 783 783
2 DUNLAP ST
EASTERN CREEK NSW 2186

VICTORIA OFFICE
P. 1800 884 405
12 GRIFFITHS RD
OPPHILL VIC 3090

QLD OFFICE
P. 08 9392 1259
8 TESLA LANE
WARRAGARRA VIC 3005

SA OFFICE
P. 08 9255 2866
31 GRANGER RD
ELWOOD VIC 3172



USER MANUAL

INDEX

SAFETY PRECAUTIONS / SPECIFICATIONS

ASSEMBLY

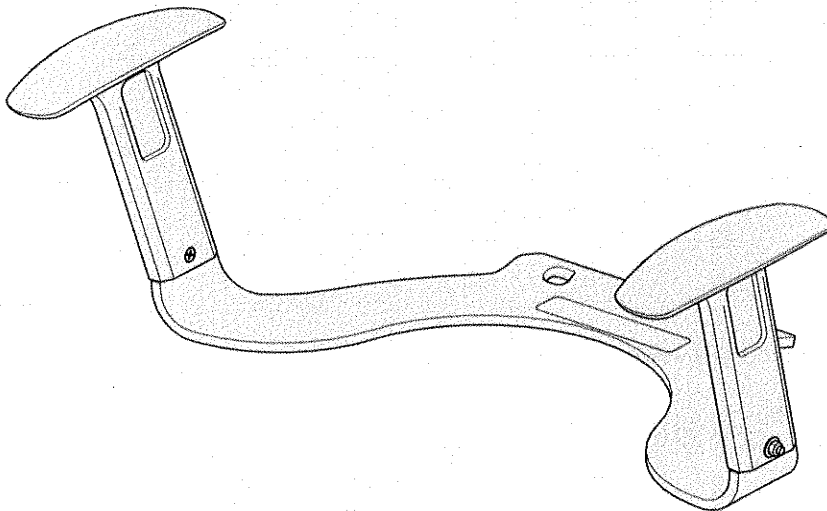
USAGE

INSPECTION / CLEANING

SERVICING

SPARE PARTS IDENTIFICATION

WARRANTY AGAINST DEFECTS



USER MANUAL

SAFETY PRECAUTIONS

The KA410NAS Numo toilet arms are designed and manufactured with safety and function in mind for the user.

Ensure that the Numo toilet arms are securely attached to the toilet to ensure a stable platform for the user.

Users MUST read and follow the User Manual to ensure that all instructions are followed and not compromised.

SPECIFICATIONS

Models:
KA410NAS

Maximum user weight capacity:
150kg

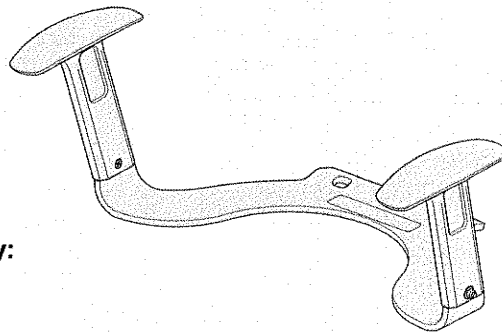
Dimensions:

KA410NAS - Width: 625mm
Depth: 385mm Height: 250mm – 280mm (from base to top of arm rest)

KA410NAS - Seat Width: 480mm (between arm rests)

Product weight: 6kg (approx.)

Materials: Mild steel base – white nylon plastic coated. Nylon reinforced plastic arm rests

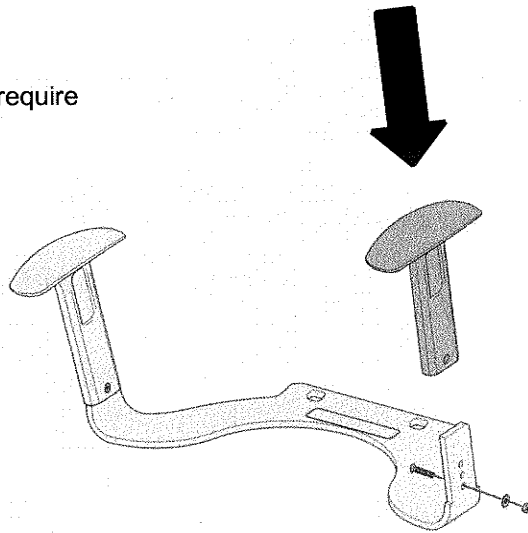


ASSEMBLY

The KA410NAS Numo toilet arms require assembly prior to use.

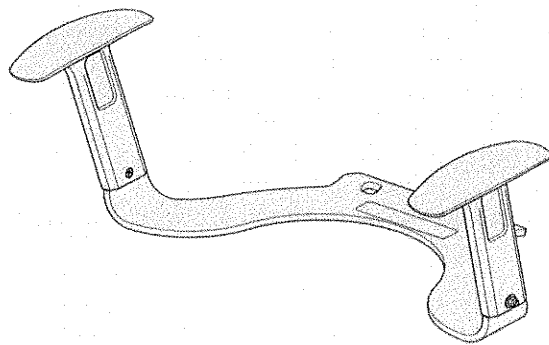
1.

Slide the plastic arms over the base plate upstands. The arms may have to be tapped down into place to a position where the bottom screw hole aligns with the bottom hole of the base plate upstand.



2.

Insert the bolts making sure the countersunk heads are located on the inside of the arms and tighten nut over washer.
Do not over tighten!



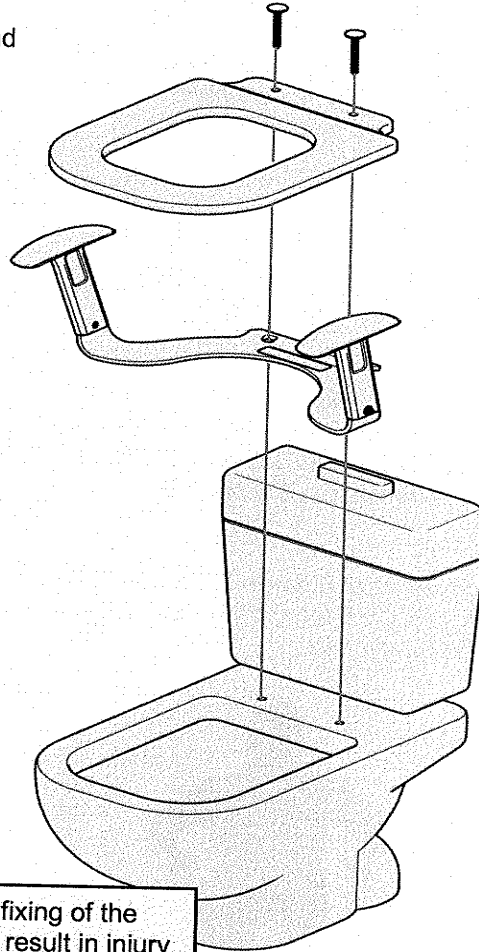
The KA410NAS Numo toilet arms is now ready for installation

INSTALLATION

Remove the existing toilet seat and place the Numo Arms base plate over the pan, using the two rear holes to align with the pan holes.

Locate the seat back over the base plate and pan securing the seat in the normal way with secure fixing bolts holding the seat.

NOTE: Some older style seats may have a skirt to the sides which may prevent the seat sitting down flat on the front of the pan with the Numo Toilet Arm installation. You may choose to purchase a new seat (making sure it is flat on the underside) from your plumbing supplier or hardware store.



Warning: Uneven or unsecure fixing of the Numo Arms to the toilet base may result in injury to the user or damage to the Numo arms or toilet.

USER MANUAL

USAGE

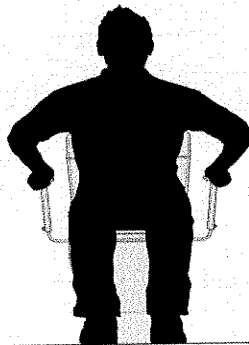
The KA410NAS Numo Arms should be installed and used as per manufacturers recommendations to ensure safe and long lasting trouble free usage of the product.

Before Use: *Inspect and ensure the Numo Arms are securely attached to the toilet with the base plate being in even contact with the pan.*

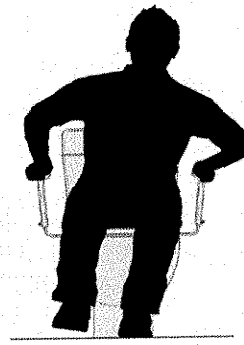
Attention! *Heavy or uneven weight distribution may cause stress to the nylon or metal fixing bolts and may eventually result in damage to the product.*



Using the Numo Arms Correctly: *The weight capacity of this product may be reduced if the user applies their weight unevenly, forcefully or positions the product unevenly.*



CORRECT



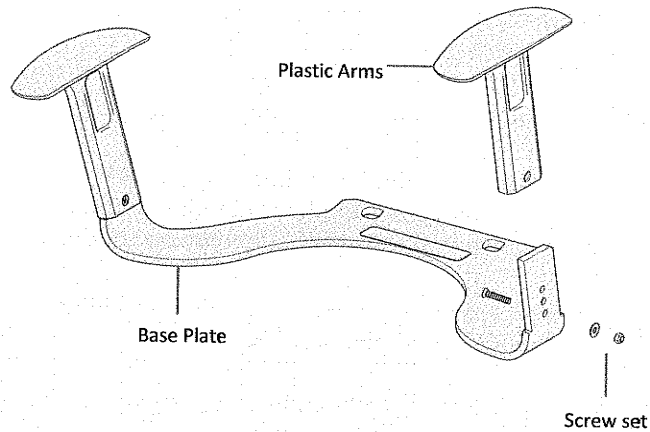
WRONG

INSPECTION

The KA410NAS Numo Arms should be inspected on a daily basis for damage.

Check The following:

- * Securely fixed to toilet
- * Arms
- * Base Plate
- * Fasteners



Warning! If any part of the Numo Arms is damaged or unsecure, it should be removed from service and not be used until repaired or replaced.

CLEANING

The KA410NAS Numo Arms should be washed weekly with a good quality non-abrasive bathroom cleaner. Periodically remove the seat and numo toilet arms and clean between the base plate and pan.

Warning: Do not use harsh chemicals or abrasive cleaning products.
Do not high pressure clean the numo toilet arms.
Do not autoclave.

USER MANUAL

SERVICING

We recommend a 6-month preventative maintenance service on the KA410NAS Numo Arms.

Please contact R&R Healthcare service department or your local dealer to arrange service.

Preventative maintenance service includes:

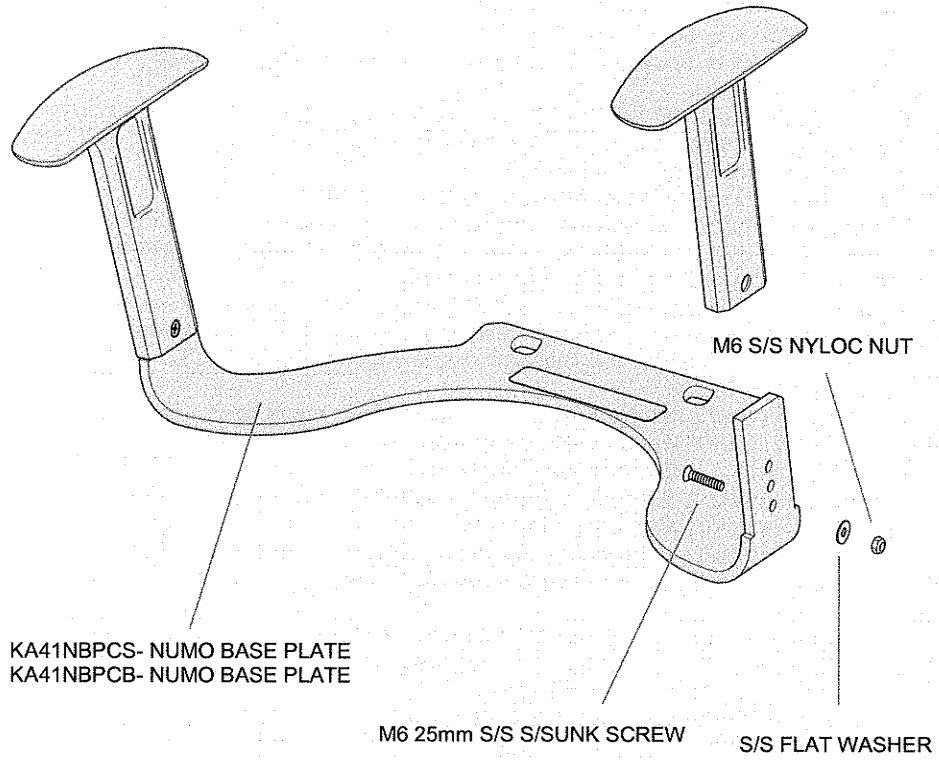
- Examine frame for structural problems
- Examine plastic arms for damage and wear
- Examine nuts and bolts for damage and wear

*Numo Arms are to be inspected and repaired if necessary.
(see next page for spare parts information)*

IMPORTANT NOTE: Only trained/qualified technicians should service numo toilet arms.

SPARE PARTS IDENTIFICATION

Please refer to the below diagram to identify spare parts



WARRANTY AGAINST DEFECTS

KCARE HEALTHCARE SOLUTIONS – KA410NAS

12 Month Product Warranty Period Applies

1.KCare Healthcare Solutions provides consumers with the following warranty in relation to this Product, in addition to complying with the requirements of any relevant legislation, including the Competition and Consumer Act 2010 (Cth) in Australia and the Consumer Guarantees Act 1993 in New Zealand (the Acts), except where a New Zealand consumer acquires the Product for the purposes of a business.

2.In this warranty, we have used the following definitions:

(a)Form means a warranty claim form issued by KCare Healthcare Solutions in respect of Products. (b)KCare Healthcare Solutions or our means KCare Healthcare Solutions, ABN 47 159 431 099 165 Ninth St Mildura Vic 3500.

(c)Products means the goods manufactured by KCare Healthcare Solutions (including products manufactured by its contract manufacturers) set out in the table above;

(d)Material means a material or component used by KCare Healthcare Solutions in the manufacture of the Products;

(e)Retailer means the authorised dealer of Products from whom the Product was purchased; (f)Warranty Period means the warranty period set out in the table above, commencing from the date of purchase of the relevant Product.

If the Product or part (as the case may be) is repaired or replaced, there will be no extension to the original warranty period; and

(g)Workmanship means the handling, assembly and manufacturing processes performed by or on behalf of KCare Healthcare Solutions in order to manufacture the Products.

3.KCare Healthcare Solutions warrants that for the duration of the Warranty Period, all Products will be free of faults arising from defects in Workmanship or Materials, on the terms and conditions set out in this warranty.

4.KCare Healthcare Solutions undertakes that if during the Warranty Period any Product, or any part of a Product, has failed to operate correctly due to faulty Workmanship or defective Material, it will repair or replace the Product or part (as the case may be) free of charge (excluding freight fees if applicable) provided that the following procedure is met:

(a)The consumer must contact the Retailer or KCare Healthcare Solutions upon becoming aware of any defect to a Product. The consumer will then be provided with a Form, which must be completed by the consumer and returned to KCare Healthcare Solutions together with satisfactory proof of purchase.

(b)KCare Healthcare Solutions will review the Form to determine whether there is a defect, and if so KCare Healthcare Solutions agrees to (at its option) repair, replace or supply equivalent goods, or pay the cost of any of those remedies to the consumer.

USER MANUAL

(c) If KCare Healthcare Solutions requests the return of the applicable Product or part, the consumer will be responsible for the collection and freight costs of returning that Product or part to KCare Healthcare Solutions.

(d) The consumer acknowledges that it is also responsible for the freight costs to deliver any new Product or replacement part to it.

5. To the extent that the supply of Products is a supply to a consumer within the meaning of the applicable Act, the consumer is entitled to consumer guarantees which KCare Healthcare Solutions does not exclude, restrict or modify. In all other respects, and to the extent permitted by law, KCare Healthcare Solutions:

(a) Limits its liability for any non-excludable condition or warranty to rectifying any defect at its option, as set out in paragraph 4(b); and

(b) Excludes liability (whether express or implied) of any nature whatsoever for any consequential loss, damage or injury arising as a result of any fault in the Products.

6. This warranty does not extend to damage to Products which occurs during transit or transportation, or which is caused by any abuse, accident or improper installation, connection, use, adjustment or repair or use of goods otherwise than in accordance with instructions issued by KCare Healthcare Solutions.

7. The warranty on Products is waived if any addition or attachment to the Products do not have KCare Healthcare Solutions's approval or are not sold as KCare Healthcare Solutions products. The Products are designed to perform specific tasks under established test loads and unauthorised attachments may produce stresses for which the design is not appropriate.

8. The following applies to consumers who purchased a relevant Product in Australia: Our goods come with guarantees that cannot be excluded under the Australian Consumer Law. You are entitled to a replacement or refund for a major failure and compensation for any other reasonably foreseeable loss or damage. You are also entitled to have the goods repaired or replaced if the goods fail to be of acceptable fault and the failure does not amount to a major failure.

Contact information:

KCare Healthcare Solutions
165 NINTH ST
MILDURA VIC 3500

Telephone: 1800 684 405
Facsimile: + 61 3 5021 5653
Email: sales@kcare.com.au

